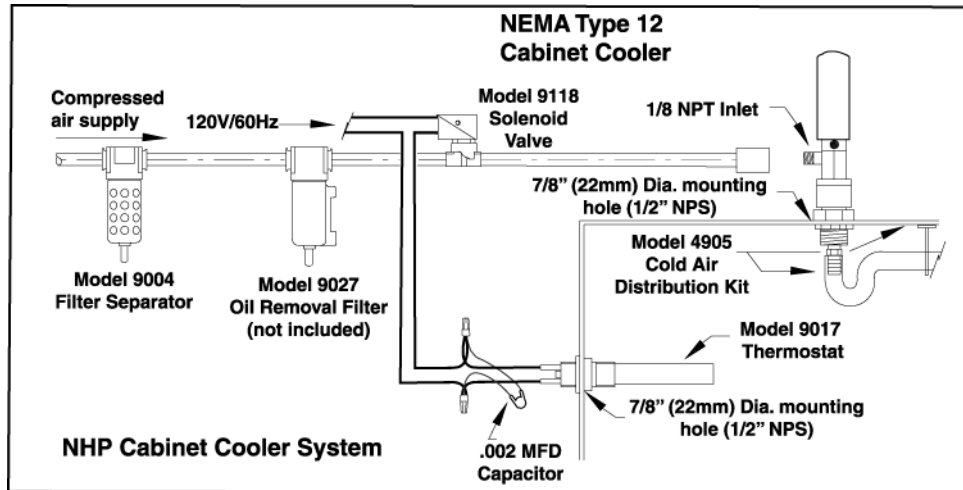


## NON-HAZARDOUS PURGE CABINET COOLER® INSTALLATION & MAINTENANCE

Models: NHP4302 through NHP4308



**NOTE: NHP Cabinet Coolers are not suitable for explosive or flammable environments**

### COMPRESSED AIR LINE SIZES

Compressed air lines should be sized to hold pressure drops to a minimum. When installing supply lines, use 1/8" pipe for runs up to 10' (3m). Use 1/4" pipe for runs up to 25' (7.6m), and 3/8" pipe for runs over 25' (7.6m). If using compressed air hose, consider 3/8" I.D. hose to be the same as 1/4" pipe and 1/2" I.D. hose to be the same as 3/8" pipe. Do not use restrictive fittings such as quick connects. They can "starve" the NHP Cabinet Cooler by causing excessive line pressure drop.

### COMPRESSED AIR SUPPLY

With proper filtration and separation of dirt, moisture and oil from the compressed air supply, the NHP Cabinet Cooler will run for years with no maintenance required. Filtering for contaminants and separation of moisture is required for all NHP Cabinet Coolers.

All NHP Cabinet Cooler Systems include a Model 9004 Automatic Drain Filter Separator which provides 5 micron filtration. The automatic drain is float actuated to eliminate the possibility of passing water into the enclosure, even during continuous operation. (Impulse-type automatic drains must not be used. They may allow water to pass through the filter during continuous operation.)

To prevent problems associated with oil, use an oil removal filter (Model 9027 Oil Removal Filter not included). The oil removal filter should be used downstream from the automatic drain filter separator. Filters should be used close to each NHP Cabinet Cooler, within 10 to 15' (3 to 4.6m) is best.

NHP Cabinet Coolers are designed to use normal shop air supplies of 80 to 100 PSIG (5.5 to 6.9 BAR). Thermostat control can minimize compressed air usage and should be used whenever possible.

### USING THE NHP CABINET COOLER

*For Use On A Flat Surface Of A NEMA Type 12 Enclosure.*

The NHP Cabinet Cooler mounts to the enclosure thru a 7/8" (22mm) diameter hole. A nut is supplied to lock it in place. The cooler is not position sensitive.

The NHP Cabinet Cooler will provide a 50°F (28°C) temperature drop from supply air temperature at 100 PSIG (6.9 BAR). An elevated inlet temperature will produce a corresponding rise in cold air temperature and reduction in cooling capacity.

**EXAIR Cabinet Coolers are UL Listed to  
U.S. and Canadian safety standards.**



### **COLD AIR DISTRIBUTION KIT**

The Model 4905 Cold Air Distribution Kit includes 4' (1.2m) of flexible (3/8" I.D.) vinyl tubing, (4) adhesive backed clips to hold the tubing in place, (1) elbow and (1) end plug. The tubing is used to direct the cold air for circulation or to hot spots, as needed. Holes may be drilled or cut ("V" shaped) in the tubing. If the end is plugged, use at least (4) 1/8" (3.2mm) diameter holes in the tube to eliminate excessive back pressure on the NHP Cabinet Cooler.

### **HUMIDITY**

If ambient air can circulate through the enclosure, humidity from this air may condense on the tubing used to distribute the cold air. Any moisture in an electrical enclosure is dangerous. To prevent this potential problem, close off any vents or fan intakes that allow ambient air into the enclosure. Fans can be relocated inside the cabinet to help circulate the cold air.

### **THERMOSTAT**

NHP Cabinet Cooler Systems are equipped with thermostat control. The Model 9017 Thermostat mounts in a 7/8" (22mm) diameter hole. It is not position sensitive and should be mounted in a hot area of the enclosure. It may be mounted thru the enclosure wall or on a bracket inside the enclosure.

The electrical requirement is 120V/60Hz, 100V/50Hz or 240V, 50/60Hz, and should be connected to the hot line supplying the solenoid valve. It is normally open, actuated closed, when the temperature rises. The thermostat is preset at 95°F (35°C). It will normally hold that setting within + or - 2°F (1°C) inside the cabinet.

#### **To change the temperature setting:**

Use a cup, thermometer and meter to check continuity. Using the cup, mix hot and cold water until the thermometer shows the desired temperature for the enclosure. Insert the plain end (not the threaded end) of the thermostat into the water and check continuity across the leads. Adjust screw until switching occurs (slight turn of the adjusting screw). The thermostat will be set to actuate at the temperature of the water.

If the temperature at the mounting location of the thermostat changes very slowly, the solenoid valve may chatter. This can be corrected by changing the thermostat location or by adding Model 4519 .002 Microfarad Capacitor (included) across the leads (in parallel).

### **SOLENOID VALVE**

This system includes a Model 9118 Solenoid Valve. Mount the solenoid valve on the compressed air line between the filter and the NHP Cabinet Cooler. The solenoid valve requires 120V/60Hz, 100V/50Hz or 240V, 50/60Hz supply. The valve is normally closed, actuated open. In most cases, it is controlled by the thermostat. It can also be actuated by the machine control.

In the closed condition, the valve passes 1 SCFM (28 SLPM) of air through to the NHP Cabinet Cooler to maintain a slight, positive pressure inside the electrical enclosure. When the thermostat detects high temperature, it energizes the solenoid valve to pass line pressure to the NHP Cabinet Cooler, producing full cooling capacity.

### **TROUBLESHOOTING & MAINTENANCE**

**If The NHP Cabinet Cooler Is Not Producing Cold Air**, check the pressure by installing a gauge at the compressed air inlet of the cooler. Large pressure drops are possible due to undersized lines, restrictive fittings and clogged filter elements.

**For replacement or repair filter and regulator parts, contact EXAIR at 1-800-903-9247 or [techhelp@exair.com](mailto:techhelp@exair.com). Call (513) 671-3322 for outside the US and Canada.**

### **NOISE MUFFLING**

All NHP Cabinet Cooler Systems are equipped with sound muffling. In most applications, the noise level is less than 75 dBA. A cold muffler (Model 4902 Cold Muffler not included) can be easily retrofitted to the cold air discharge.

If you have any questions or problems, please contact:

Henderson Indústria e Comércio Ltda  
 Av. Álvaro Guimarães 1455 Planalto - CEP: 09890-003  
 São Bernardo do Campo São Paulo Brazil  
 Tel: (11) 4399.2992 • Fax: (11) 4341.5535  
 E-mail: [Henderson@henderson.com.br](mailto:Henderson@henderson.com.br)